

# DIMMER

Triac Dimmer, 600W, Damp Location

## Features

Provides the best dimming performance for dimmable LED bulbs (compatible with 800+ bulbs for more specific details view technical specification below)  
 Also works with ALL incandescent and halogen bulbs  
 Works with up to 150 Watts of dimmable LED/CFL bulbs or 600 Watts of Incandescent/Halogen bulbs  
 Can be used in Single Pole or 3 Way applications

**Operating Temperature**  
 -20°C~40°C(-4°F~104°F)

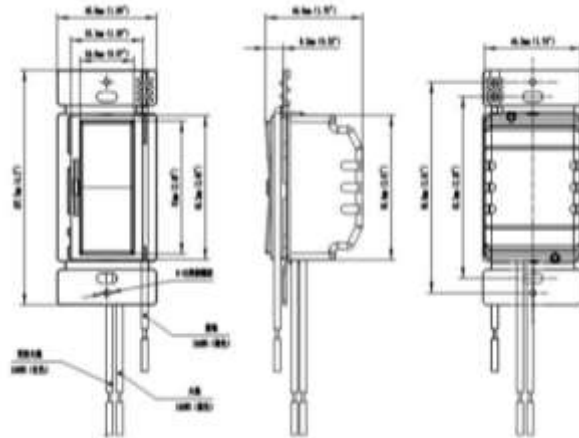
**Environment**  
 Suitable for Damp locations.

SPECIFICATION		
Product Code	DIMMER	
Body Size	L(mm)	108MM
	W(mm)	46MM
	H(mm)	45MM
Dimmable	Triac Dimming	
Input Voltage (V)	120V 60Hz	
Rated Power (w)	600W	
Withstand voltage	1500V	
Weight	60g	
Mechanical Life	40,000 times	
Certification Requirements	CUL	



## Description

This product USES the high quality component manufacture, its work performance is stable reliable; It is mainly composed of the bidirectional thyristor circuit of the light source by sliding potentiometer dimming control, open the switch, slide switch, light or wind speed change from dark to light and from low to high.

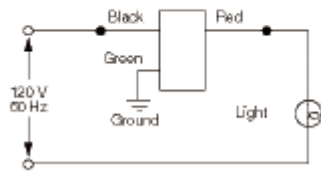
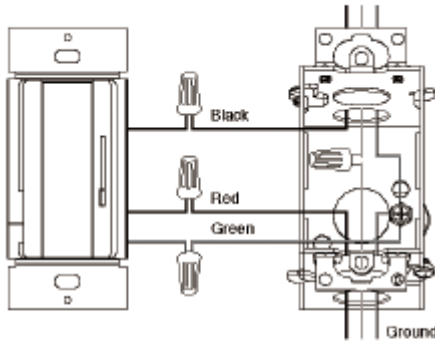


# Dimmer

Triac Dimmer, 600W, Damp Location

## Installation Guide

### Single-pole Wiring



### 3-Way Wiring

