



QLEDMB6

Slim Panel 6", 13W, Damp Location

Features

Body

Durable airtight aluminum body with UV stable paint and white PMMA diffuser lens for low glare. Includes silicone gasket for Damp location applications.

Dimming

100%-10% dimming capability. This fixture is compatible with industry standard TRIAC dimmers (contact factory for listing or compatible dimmer

LED Characteristics

This general application light fixture features a 13-watt LED module that maintains uniform intensity producing up to lumens 1050 with a typical CRI of 80. Available in 2700K, 3000K, 4000K,5000K,6500K colour temperature.

Beam Spread

The fixture lens provides 180° beam spread.

Mounting

Includes two spring loaded clips to attached to any ceiling material. The slim profile allows to be mounted under joists or duct work.

LED Driver

Steel hardwire box dimmable glass II electronic LED driver with 100-135V AC input. Includes an 16" Plenum rated FT1 wire with DC 2.1 connector for driver to fixture.

Operating Temperature

-20°C~40°C (-4°F~104°F)

Environment

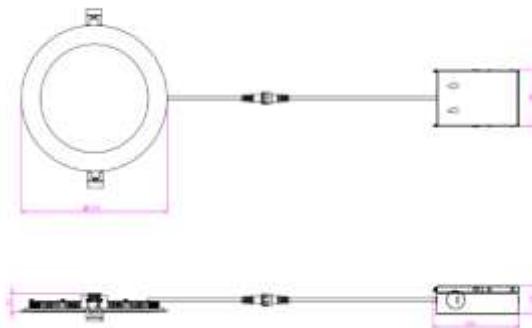
Suitable for Damp locations. Suitable for insulated ceiling applications.

SPECIFICATION		
Product Code	QLEDMB6	
Body Size	Ø(mm)	179MM
	H(mm)	21MM
LED Brand	HONGLI	
LED QTY (pcs)	60	
Beam Angle	180*	
Replacement Wattage	100W	
Dimmable	Triac Dimming	
Input Voltage (V)	120V 60Hz	
Power (w)	13W	
Luminous Flux	1050Lm	
Color Temperature	2700K-6500K	
SDCM	<7	
CRI	>80	
Power Factor	>0.9	
Lifetime (Hrs)	50,000	
Certification Requirements	ETL, E-Star	



Description

The QLEDMB-6inch-13W(Dm) is a 13-watt recessed downlight. It is a high-performance, easy to install fixture that offers good light output, energy-efficiency and streamlined design. Type IC and Airtight. Suitable for damp locations.



QLEDMB6

Slim Panel 6", 13W, Damp Location

Installation Guide

Installation instructions / Instructions d'installation

1

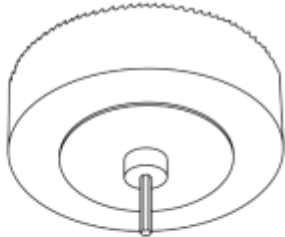
Drill hole in ceiling and prepare supply wires. Install and unshield the line feed wire 12" (25cm) and strip wires 5/8" (1.6 cm). Bring supply power to junction box through knockout.

Perçer le trou dans le plafond et préparez les fils d'alimentation. Installer et dénuder le fil du secteur de 12 po. (25cm) et dénuder les fils de 5/8 po. (1,6 cm). Apporter l'alimentation électrique jusque dans la boîte de connexion.



QLEDRT-4inch-10W(Dm)-WW
QLEDRT-4inch-10W(Dm)-BW
QLEDRT-4inch-10W(Dm)-CW

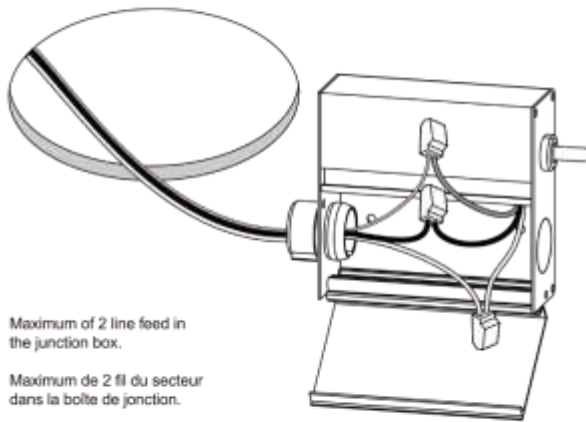
MIN. Ø4-1/4" (Ø10.8 cm)
MAX. Ø4-1/2" (Ø11.5 cm)



2

Open the lid of the junction box. Use the wirenuts to match the white wire from the line feed with the white wire of the junction box, to match the black wire from the line feed with the black wire of the junction box and to match the copper wire from the line feed and with the green wire of the junction box.

Ouvrir le couvercle sur la boîte de connexion. Utiliser les marettes pour jumeler le fil blanc du secteur avec le fil blanc de la boîte de jonction, pour jumeler le fil noir du secteur avec le fil noir de la boîte de jonction et pour jumeler le fil de cuivre du secteur avec le fil vert de la boîte de jonction.



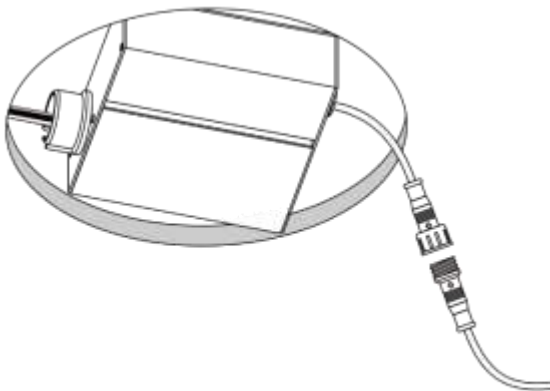
Maximum of 2 line feed in the junction box.

Maximum de 2 fil du secteur dans la boîte de jonction.

3

Route junction box through cut-out and connect recessed LED panel to junction box with the quick connector.

Rentrer le boîtier dans le plafond et connecter le panneau encastré DEL à la boîte de jonction à l'aide du connecteur.



4

Compress the springs and push the fixture in the opening. It is easier to do one spring at a time.

Comprimer les ressorts et pousser l'appareil dans le trou. Il est préférable d'y aller un ressort à la fois.

